

부록 Line-up

KPS-M6 Series

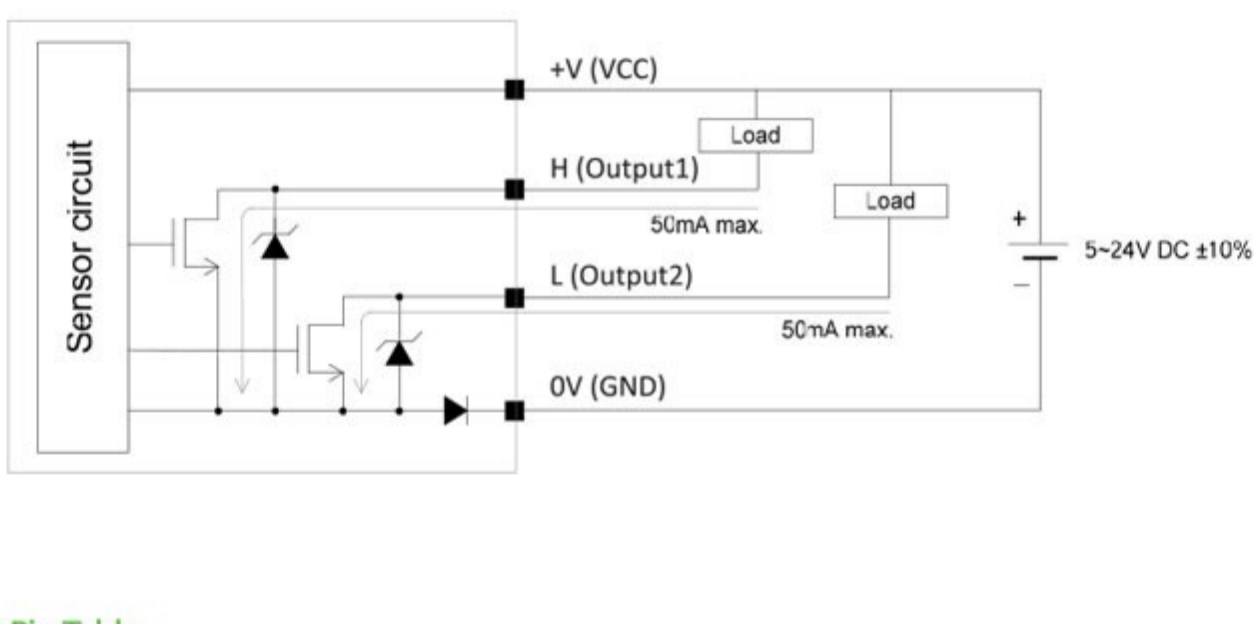
Type	Appearance (mm)	Sensing range	Model No.	Output	Output operation
K Type		5mm (fixed)	KPS-M60	NPN open-collector transistor	Incorporated with 2 outputs : Light-ON / Dark-ON Cable Type
L Type			KPS-M61	NPN open-collector transistor	
T Type			KPS-M62	NPN open-collector transistor	
F Type			KPS-M63	NPN open-collector transistor	
Y Type			KPS-M64	NPN open-collector transistor	

KPS-M6-C Series

Type	Appearance (mm)	Sensing range	Model No.	Output	Output operation
K Type		5mm (fixed)	KPS-M60C	NPN open-collector transistor	Incorporated with 2 outputs : Light-ON / Dark-ON Connector Type
L Type			KPS-M61C	NPN open-collector transistor	
T Type			KPS-M62C	NPN open-collector transistor	
F Type			KPS-M63C	NPN open-collector transistor	
Y Type			KPS-M64C	NPN open-collector transistor	

I/O Circuit and Pin diagrams

NPN output type



Pin Table

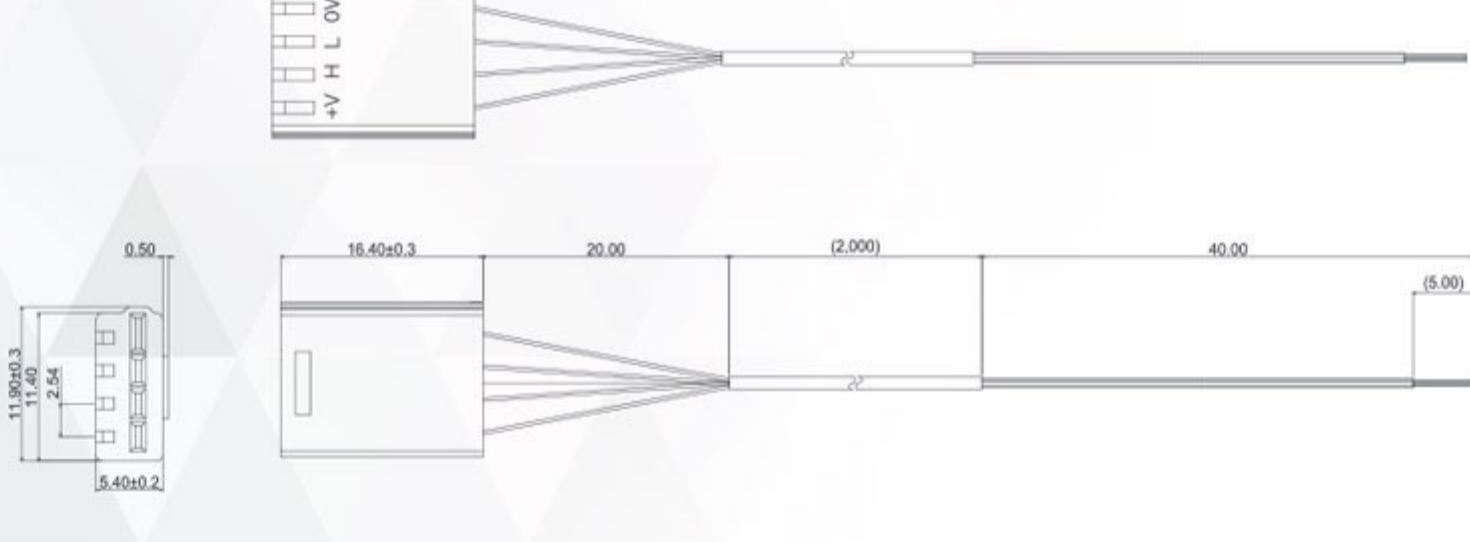
No.	Item	Function	Output operation
1	+V	VCC	-
2	H	Output1	Light On
3	L	Output2	Dark On
4	0V	GND	-

Caution

- 1) This product is not a safety sensor. Its use is not intended or designed to protect life and prevent body injury or property damage from dangerous parts of machinery. It is a normal object detection sensor.
- 2) Since the sensor is intended for use inside machines, no special countermeasures have been taken against extraneous light. Take care that extraneous light is not directly incident on the beam receiving section.

Dimensions (Unit: mm)

KPS-M-C



Terminal Table

No.	Item	Function	Wire Color
1	+V	VCC	Brown
2	H	Output1	Pink
3	L	Output2	Black
4	0V	GND	Blue